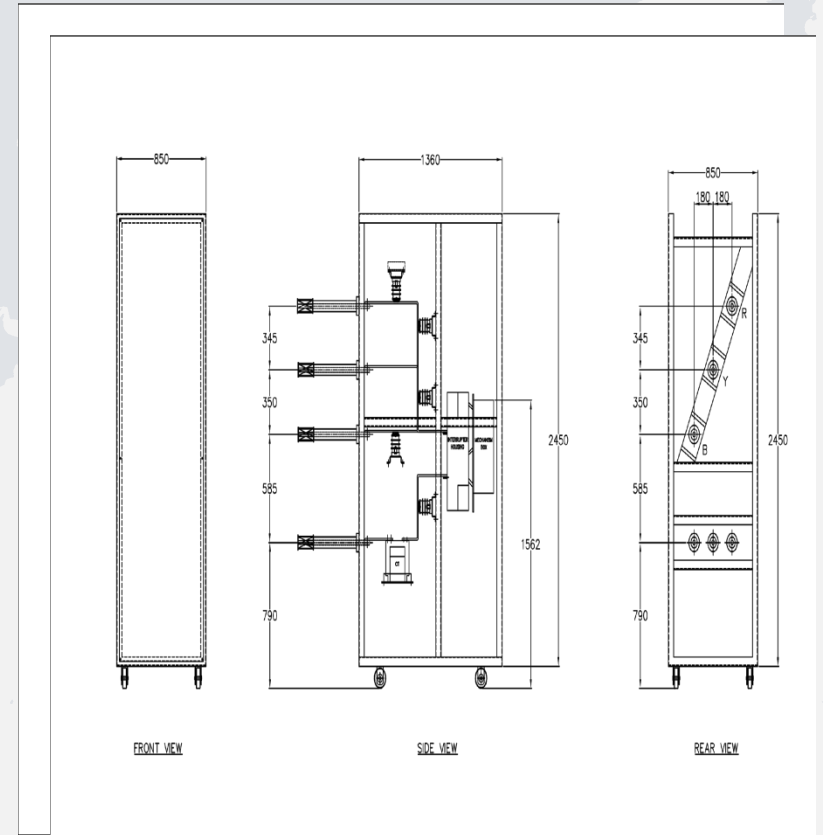
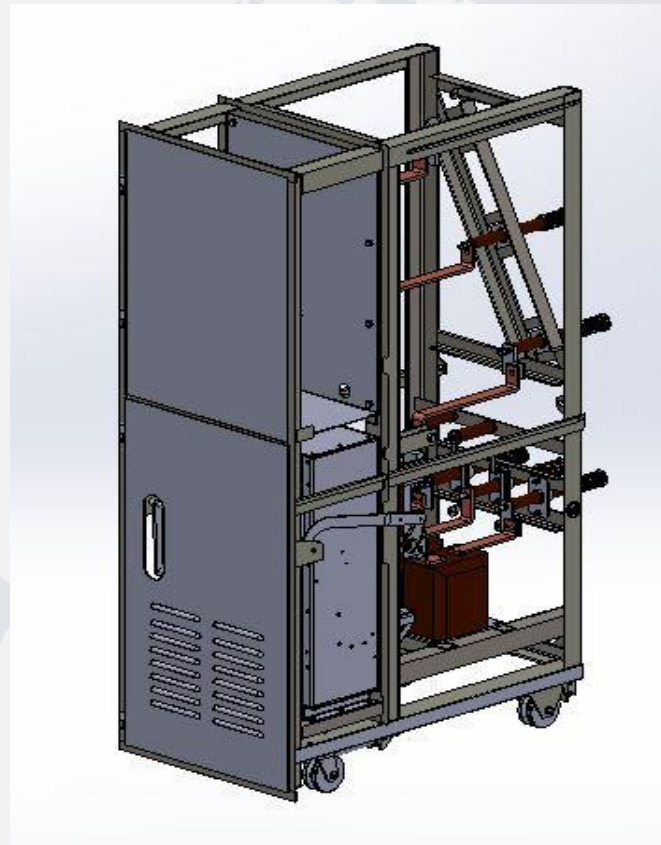
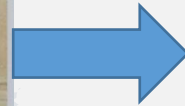
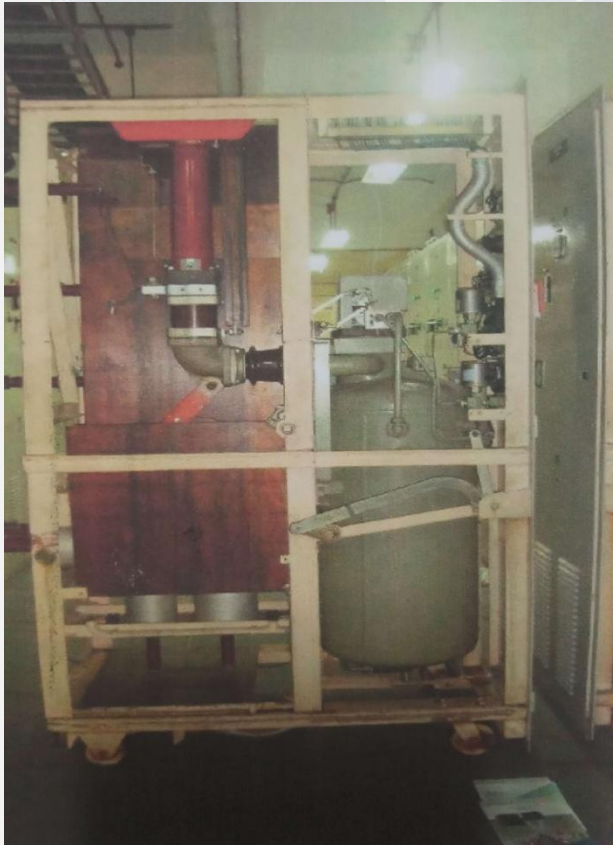


Retrofitting of HBB ABCB to S&S VCB Indoor Type-6.6kV,2500A,40kA/3 sec – At MAPS Kalpakkam

Design Concept of HBB ABCB to S&S VCB ON A CHASIS



HBB – ABCB

S&S – VCB (HHV12 PRIME)

Ongoing Project – Total 38 Breakers